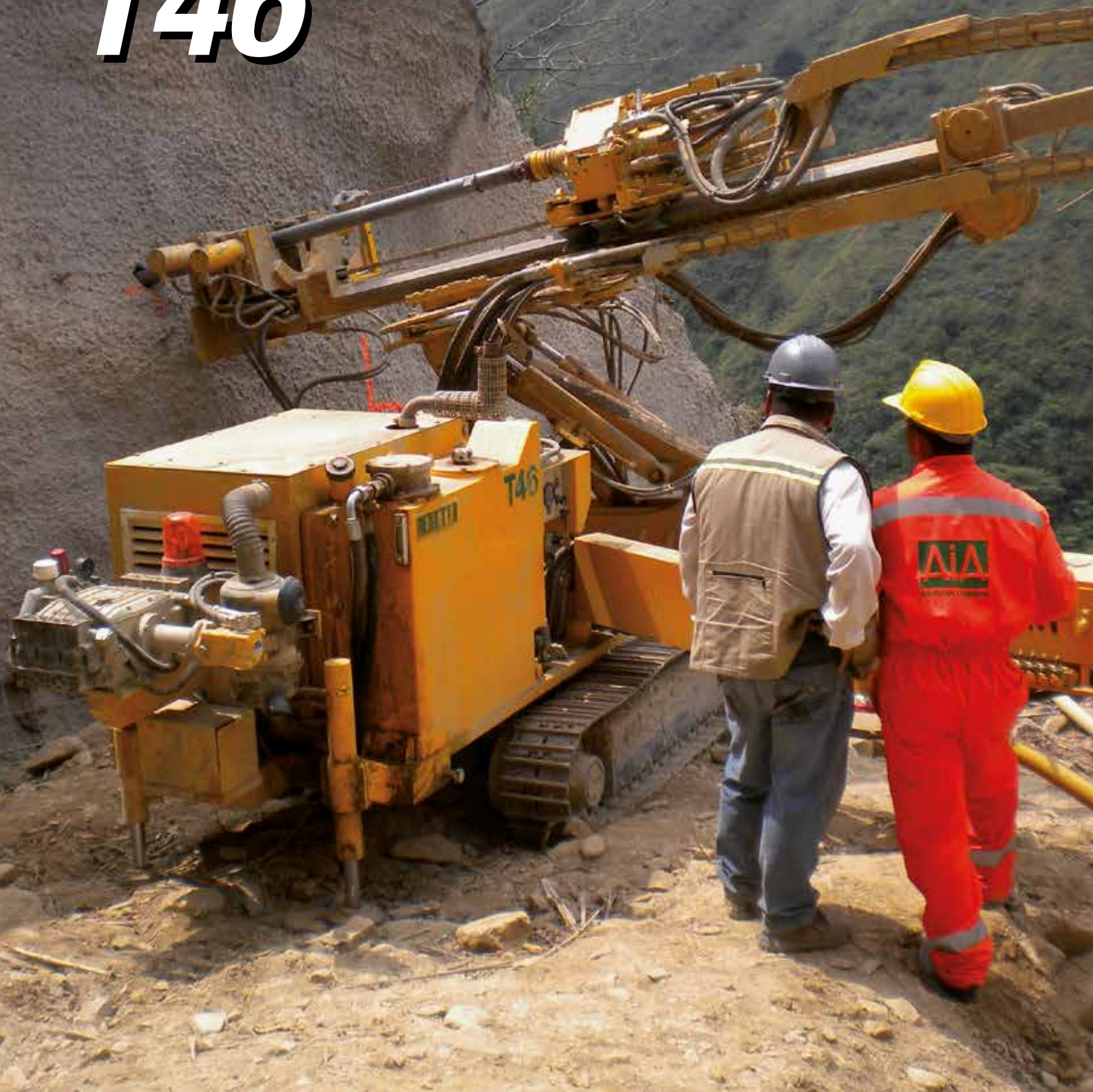


T46



BERETTA[®]
HYDRAULIC DRILLING RIGS



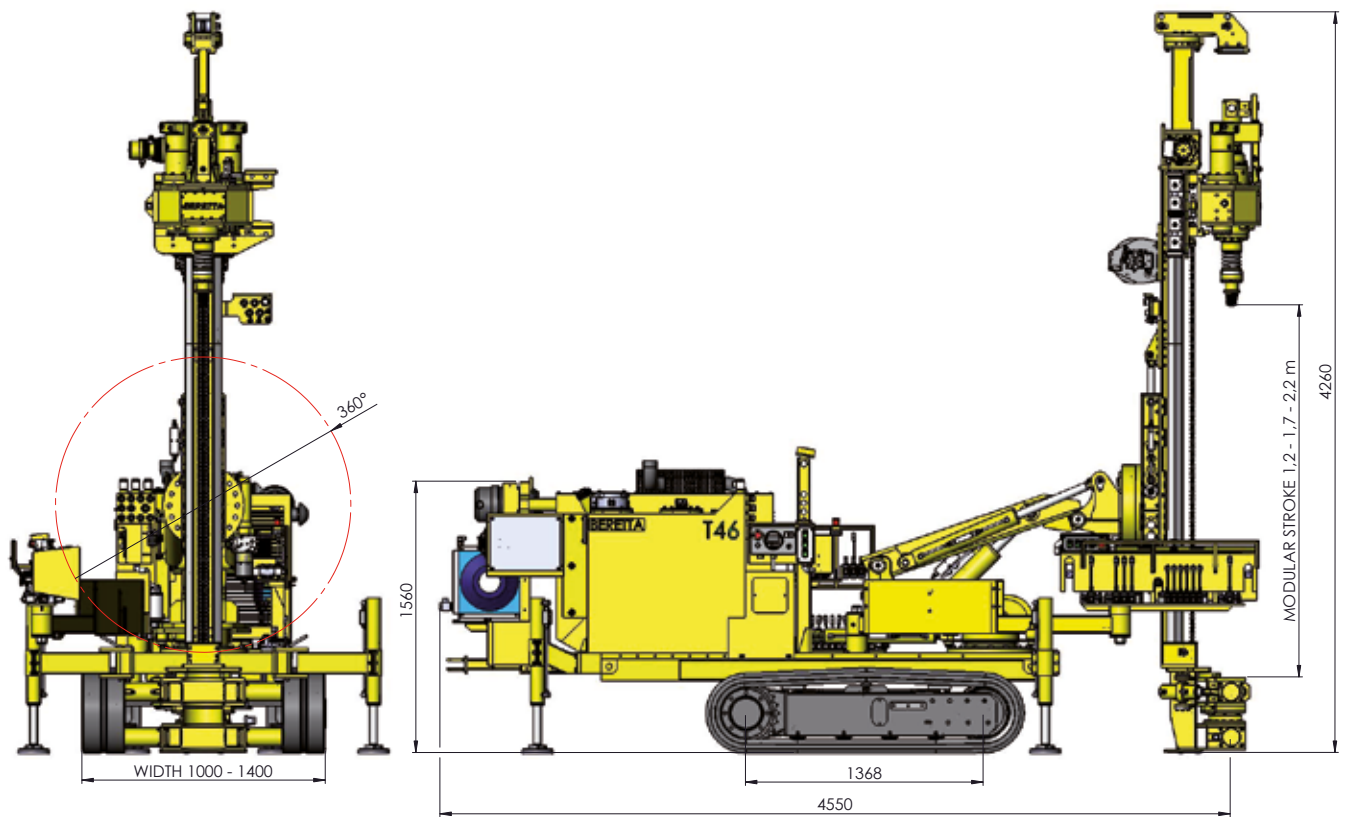
POWER PACK Unità potenza- Unitès puissance- питания- Unidad potencia- Leistungseinheit	
Diesel engine	
Motore Diesel	Deutz - Stage V Kubota - Tier 3
Moteur Diesel	
Дизельный двигатель	
Motor Diesel	
Dieselmotor	
Engine power	
Potenza motore	55 kW - 75 HP 74 kW - 100 HP
Puissance moteur	
мощность двигателя	
Potencia motor	
Motorleistung	
Oil tank	
Sebatoio olio	155 l ; 41 gal
Réservoir d'huile	
масляный бак	
Tanque aceite	
Öltank	
Fuel tank	
Serbatoio diesel	55 l ; 14 gal
Réservoir a carburant	
Топливный бак	
Depósito de combustible	
Treibstofftank	
UNDERCARRIAGE Sottocarro- Chenilles- гусеницы- Orugas- Raupenwagen	
Width	
Larghezza	1000 - 1400 mm ; 3,28 - 4,59 ft
Largeur	
ширина	
Anchura	
Breite	
Wheel base	
Passo cingolo	1380 mm ; 4,5 ft
Empattement	
Колесная база	
Distancia de rueda	
Radstand	
Shoes width	
Larghezza pattini	250 mm ; 9,8 in
Larghezza patins	
Ширина обуви	
Zapatos anchos	
Schuhbreite	
Max gradeability	
Pressione suolo	35%
Pression au sol	
давление на грунт	
Presion suelo	
Bodendruck	
Max speed	
Velocità max.	1,5 km/h ; 0,90 mph
Vitesse max.	
Макс. скорость	
Velocidad max.	
Max. Geschwindigkeit	

MAST - Mat- Мачта- Mastil	
Feed stroke	
Corsa utile	1200 mm ; 3,9 ft 1700 mm ; 5,5 ft 2200 mm ; 7,2 ft
Course utile	
ход вращателя	
Carrera	
Vorschublänge	
Total length	
Lunghezza totale	3555 - 4260 mm ; 11,66 - 13,97 ft
Longueur totale	
Общая длина	
Largo total	
Gesamtlänge	
Pull-up	
Tiro-spinta	40 kN ; 8992 lbs opt. 50 kN ; 11200 lbs
Traction	
Маск. тяговое усилие	
Tiro	
Vorschubkraft	
CLAMPS Morsa- Mors-тиски- Mordaza	
Clamping diameter	
Diametro bloccaggio	40 - 219 mm ; 1,6 - 8,6 in
Diamètre blocage	
диаметр захвата тисков	
Diametro bloque	
Durchmesser Sperre	
Clamping force	
Forza chiusura	140 kN ; 31400 lbs
Force fermeture	
усилие зажима	
Fuerza cierre	
Schließkraft	
Break-out torque	
Coppia svitamento	1900 daNm ; 14 lbft
Couple deserrage	
момент развинчивания	
Par desenroscado	
Anzugsmoment	
WEIGHT 4600 - 5400 Kg 10100 - 11900 lbs Peso- Poids- Бес- Gewicht	

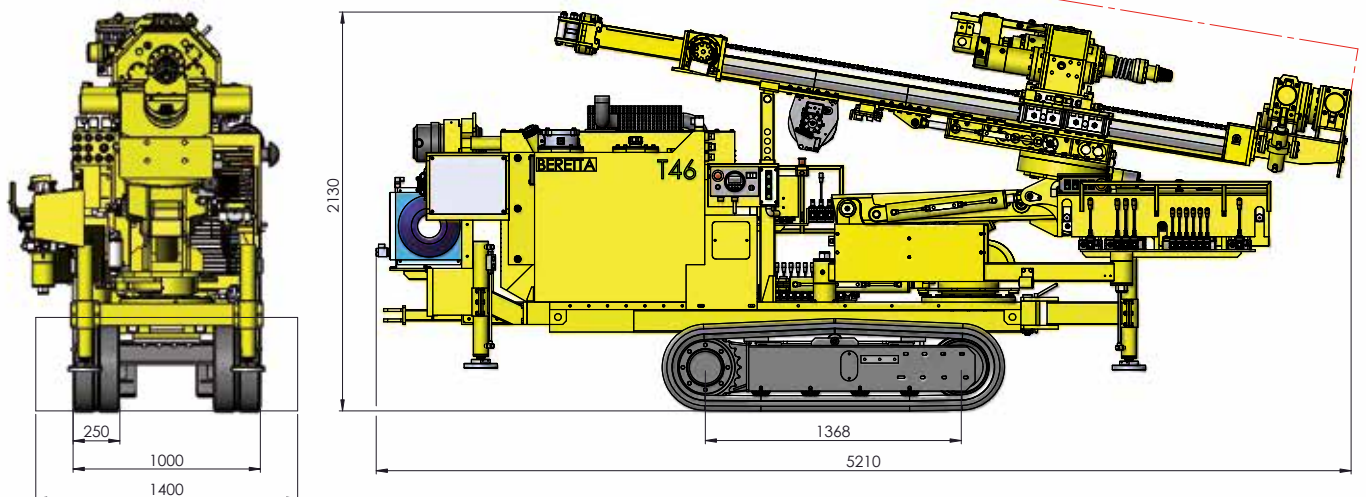
English Italiano Français русский Español Deutsch

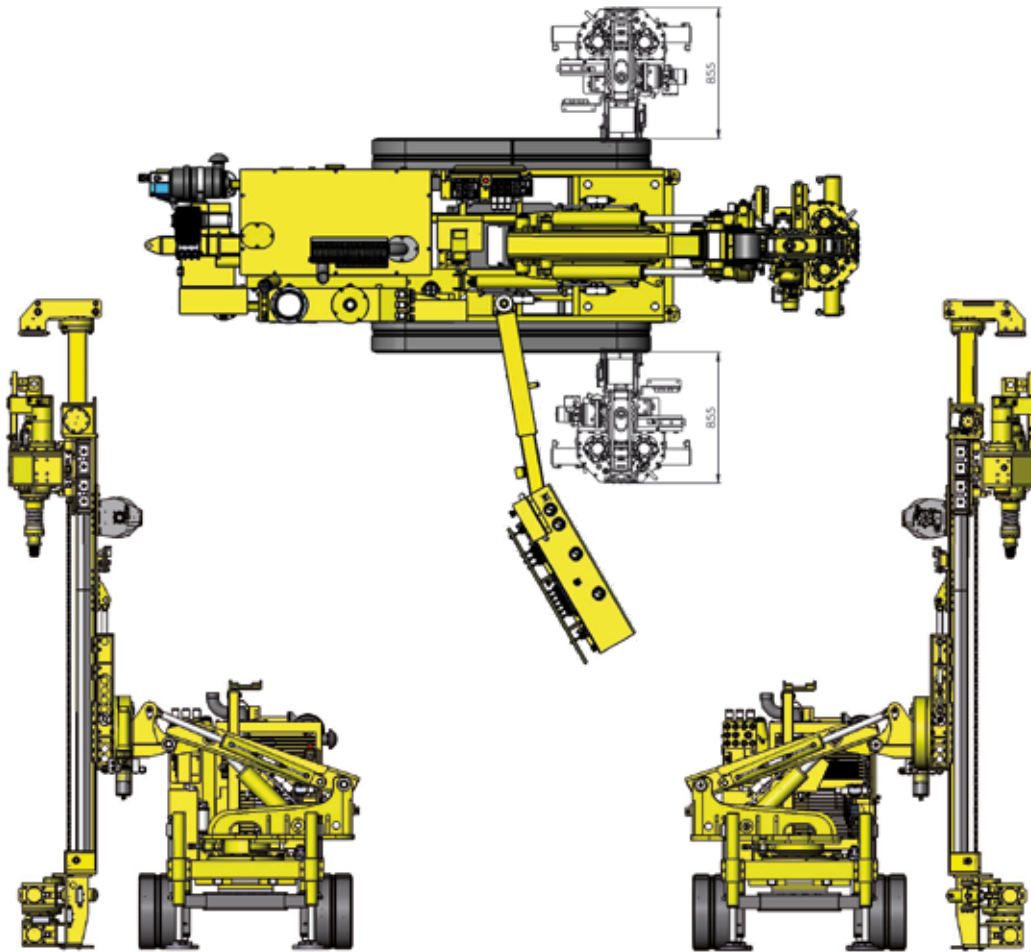
T46

Dimensions - Dimensioni - Dimensions- размеры - Dimensiones - Größe

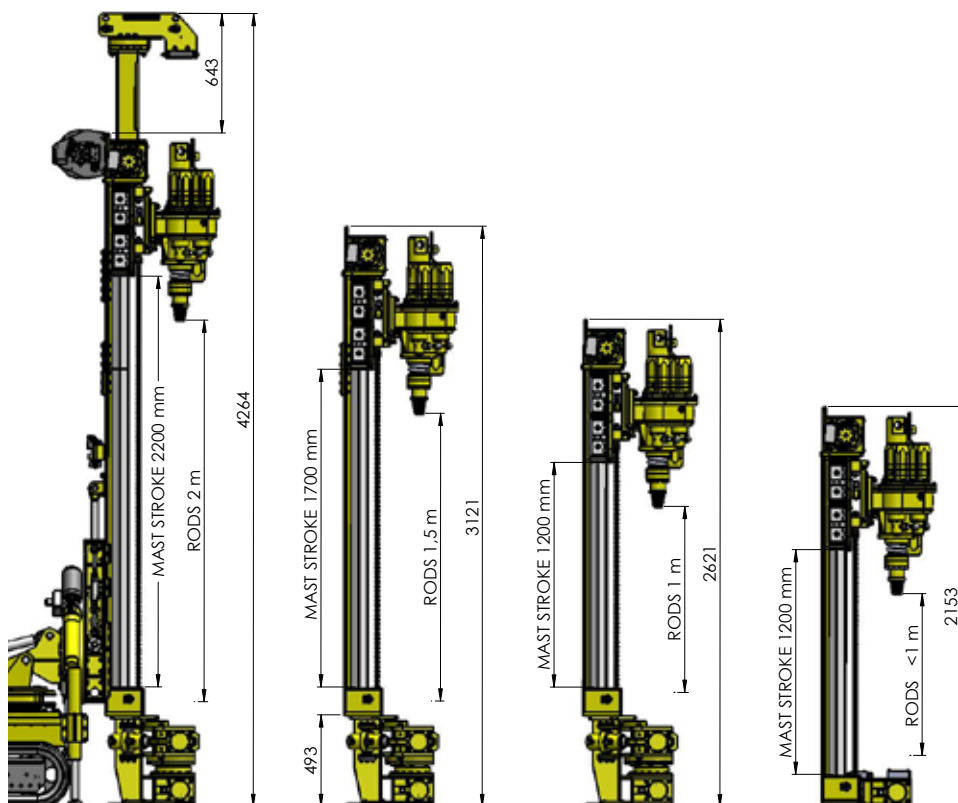


Transport





Modular Mast Configurations





Rotary type 43 - 2V						
(version)	(A)		(B)		(C)	
SPEED	daNm (lb ft)	RPM	daNm (lb ft)	RPM	daNm (lb ft)	RPM
1°	950 (7011)	30	800 (5904)	40	620 (4576)	50
2°	475 (3506)	60	400 (2952)	80	310 (2288)	100
(version)	(D)		(E)		(F)	
SPEED	daNm (lb ft)	RPM	daNm (lb ft)	RPM	daNm (lb ft)	RPM
1°	500 (3690)	65	400 (2952)	82	310 (2288)	100
2°	250 (1845)	130	200 (1476)	164	155 (1144)	



Rotary type 43 - 4V (floating shaft)						
(version)	(A)		(B)		(C)	
SPEED	daNm (lb ft)	RPM	daNm (lb ft)	RPM	daNm (lb ft)	RPM
1°	414 (3055)	80	501 (3697)	67	568 (4192)	58
2°	323 (2384)	88	410 (3026)	81	422 (3114)	78
3°	128 (945)	262	138 (1018)	240	205 (1513)	162
4°	37 (273)	875	47 (347)	709	59 (435)	567
(version)	(D)		(E)		(F)	
SPEED	daNm (lb ft)	RPM	daNm (lb ft)	RPM	daNm (lb ft)	RPM
1°	620 (4576)	53	742 (5476)	45	836 (6170)	40
2°	438 (3232)	76	456 (3365)	72	550 (4059)	60
3°	256 (1889)	130	380 (2804)	87	474 (3498)	70
4°	75 (554)	444	94 (694)	354	188 (1387)	176

OPTIONAL

Optional	Opzioni	Options	Опции	Opcionales	Extras
Hydraulic winch	Argano idraulico	Treuil hydr.	лебедка	Cabrestante	Seilwinde
Breaking clamp	Morsa svitatrice	Mors dévissage	Отвинчивающая тиски	Doble prensa	Doppelspannschelle
Top hammer	Martello idraulico	Marteau hydr.	пневмоударника	Martillo hidráulico	Top hammer
Foam pump	Pompa schiumogeno	Pompe à mousse	инжекционный	Bomba scarotatrice	Bohrpumpe
Water pump	Pompa Acqua	Pompe à eau	Водяной насос	Bomba agua	Wasserpumpe
Lubricator DTH	Oliatore DTH	Graisseur DTH	масленка пневмоударника	Lubricador en linea	Schmiervorrichtung



T46



BERETTA migliora costantemente i suoi prodotti riservandosi il diritto di apportare qualsiasi modifica senza preavviso nè responsabilità
BERETTA continuously improves its products reservong the ringt to modify data without advance notice decling any responsibility

 **BERETTA**[®]
HYDRAULIC DRILLING RIGS

Address: Via Parini, 24 - 20842 Besana Brianza (Mb) - ITALY
Tel. +39.0362.995380

www.berettaalfredo.it - info@berettaalfredo.it